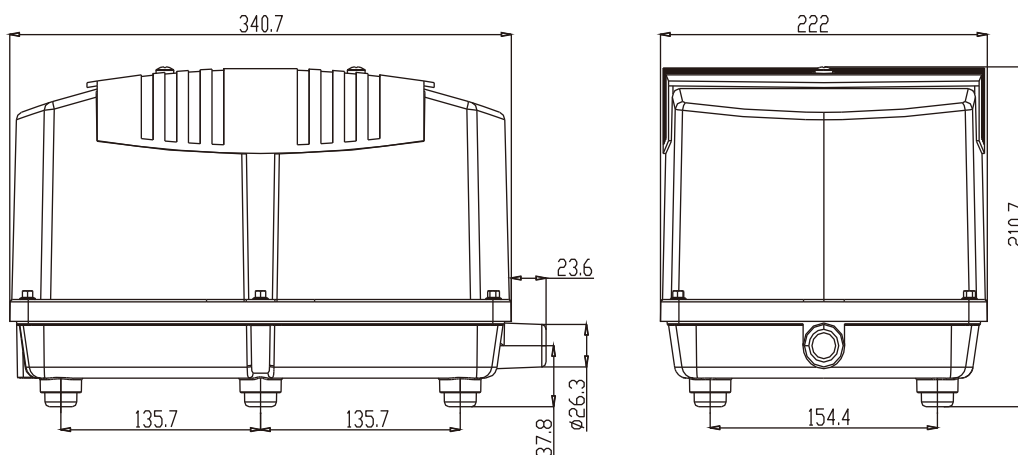


Specifications

Item \ Model	LA-150	LA-200	LA-250
Voltage	110-120V / 220-240V(50/60Hz)		
Rated Pressure	0.2bar		
Rated Air Flow	151L/min	202L/min	251L/min
Power(W)	201W	254W	305 W
Discharge	26mm		
Weight	13.6Kg		

Dimensions (Unit:mm)



KNB Corporation

LA-150/200/250 series Linear Diaphragm Air Pump

No. 139-18, Chung-Ho Road, Keelung, 20347, Taiwan
 Tel +886-2-24378720 Fax +886-2-24373482
www.knb.com.tw sales@knb.com.tw